



Submittal Drawing 0110 STATIC FIRE DAMPERS

Company:

Contact:

STANDARD CONSTRUCTION

TYPE A

FRAME

22 ga. Rollformed Steel frame

BLADES

22 ga. Interlocking Steel Blades
'In Air Stream'

FINISH - Mill

MAXIMUM SIZE

Single section -60" x 60" - Vertical and Horizontal

MULTIPLE SECTIONS ASSEMBLY

120" x 120" - Vertical and Horizontal

MINIMUM SIZE

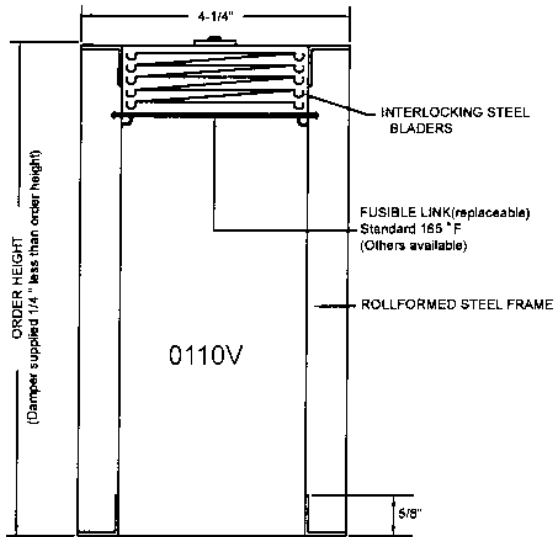
4" x 4" - Vertical and Horizontal

OPTIONS:

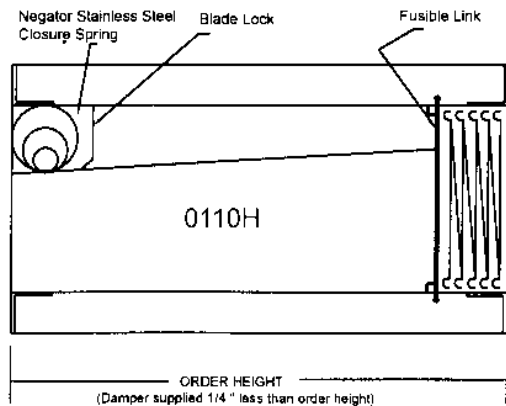
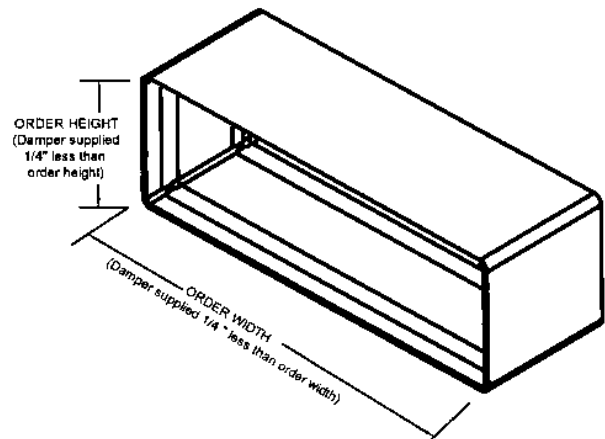
- Vertical Mount
- Horizontal Mount
- 165 deg. F. Fusible Link (Standard)
- 212 deg. F. Fusible Link
- 304 Stainless Steel Construction

Horizontal & Vertical

U.L. Classified
1-1/2 Hour Rating

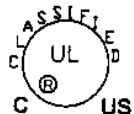


(V) VERTICAL MOUNT



(H) HORIZONTAL MOUNT

HORIZONTAL MOUNTING MODEL INCLUDES STAINLESS STEEL NEGATOR SPRINGS AND BLADE LOCKS



UNDERWRITERS LABORATORIES(UL555)
CLASSIFIED FIRE DAMPERS.
FIRE RESISTANCE RATED 1-1/2 HOUR.
FOR USE IN UL CLASSIFIED BUILDING
MATERIALS RATED 2 HOURS OR LESS

Qty	Width	Height	Mount	Fusible Link

Qty	Width	Height	Mount	Fusible Link